

PIXMA MP830



SERVICE MANUAL

File Name: canon pixma mp830 owners manual.pdf

Size: 2485 KB

Type: PDF, ePub, eBook

Category: Book

Uploaded: 16 May 2019, 18:15 PM

Rating: 4.6/5 from 722 votes.

Status: AVAILABLE

Last checked: 14 Minutes ago!

In order to read or download canon pixma mp830 owners manual ebook, you need to create a FREE account.

[**Download Now!**](#)

eBook includes PDF, ePub and Kindle version

[Register a free 1 month Trial Account.](#)

[Download as many books as you like \(Personal use\)](#)

[Cancel the membership at any time if not satisfied.](#)

[Join Over 80000 Happy Readers](#)

Book Descriptions:

We have made it easy for you to find a PDF Ebooks without any digging. And by having access to our ebooks online or by storing it on your computer, you have convenient answers with canon pixma mp830 owners manual . To get started finding canon pixma mp830 owners manual , you are right to find our website which has a comprehensive collection of manuals listed.

Our library is the biggest of these that have literally hundreds of thousands of different products represented.



Book Descriptions:

canon pixma mp830 owners manual



For further information about extending your Canon service and support, call 18003852155, or visit our Web site at www.canonesp.com. CarePAK must be purchased during your product's warranty period. All statements, technical information and recommendations in this manual and in any guides or related documents are believed reliable, but the accuracy and completeness thereof are not guaranteed or warranted, and they are not intended to be, nor should they be understood to be, representation or warranties concerning the products described. Using the machine in such conditions may result in fire or electrical shock. Then contact the Canon Customer Care Center. Do not use flammable sprays near the machine. Pulling on the power cord may damage the cord and cause a fire or electrical shock. However, if the machine is unplugged during printing, the Print Head is not protected with the cap that prevents the ink from drying. Then, contact the Canon Customer Care Center. Do not touch the highvoltage electrical parts as this may result in electrical shock. If a child ingests any ink, consult a doctor immediately. Do not shake print heads or ink tanks. Ink may leak out and stain clothing or the surrounding area. Never touch the Print Head. The following symbols are used to indicate important instructions. Be sure to obey these instructions. Warning Indicates a warning concerning operations that may lead to death or injury to persons if not performed correctly. The list provided is nonexhaustive. When in doubt, check with a legal representative in your jurisdiction. However, even if it is closed, the tray will open automatically when copying or printing is started. Important Do not pull up this lever after installing the Print Head. 20 Ink Tank Lamp Lights or flashes red to indicate the status of the ink tank. You can check the status of each ink tank according to the way its lamp flashes. Before turning ON the machine, make sure the Document Cover is closed. <http://www.xn---qtbenjffc7h.xn--p1ai/userfiles/dtr1500-manual.xml>

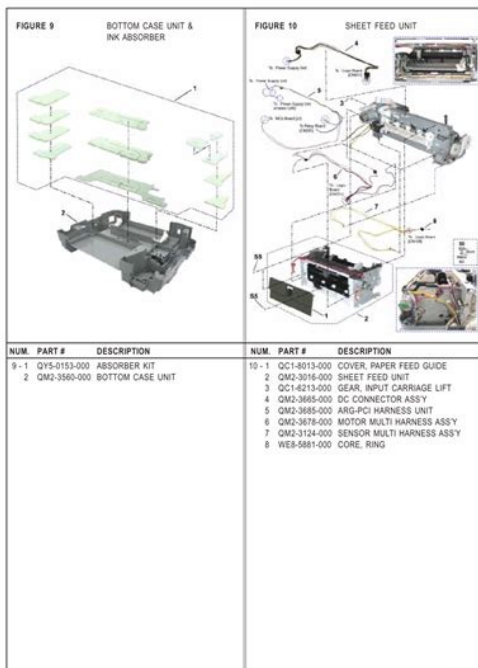
- **canon pixma mp830 user manual, 1.0, canon pixma mp830 user manual.**

PIXMA MP830



SERVICE MANUAL

Note The machine cannot receive faxes when the power is turned OFF. The power cannot be turned OFF while the machine is sending or receiving a fax, or when there are unsent faxes stored in the machine's memory. Turning on the Machine Before turning on the machine, confirm that the Print Head and ink tanks are set into place. Note If preparatory operations above are not yet finished, follow the Easy Setup Instructions to complete them. In the Power save mode, the internal fluorescent lamp are turned off, and the selected Mode Lamp stays lit. You can configure the interval that the machine waits before entering Power save mode. See "Power save setting". Note Make sure any glue, ink, correction fluid, or the like is completely dry before loading the document. Remove all staples, paper clips, and the like before feeding the document. Load legal size documents in the ADF. Set them on the Platen Glass in the same way as documents. Note Ensure that the edge of the document stack is in line with the Paper Size Mark imprinted on the Document Tray A. Loading Paper This section describes how to load paper in the Auto Sheet Feeder and the Cassette. Paper Handling Recommended Paper and Requirements Media Type. You may not be able to purchase some Canon branded paper depending on your country. Paper is not sold in the US by Model Number. Purchase paper by the name. Do not mount printouts in an adhesivetype album as you may not be able to remove them. Be aware that some types of clear plastic folders and albums may cause the edges of the paper to turn yellow. This is useful for printing onto a large volume of paper. Important When printing from a computer, you need to set this feature with the printer driver. Loading Paper Note For detailed information on the specialty media Canon provides for use with its various printers, see "Recommended Paper and Requirements" on page Flatten the four corners of the paper before loading it. <http://doingbusinessinargentina.com/userfiles/dtr-t1010-manual.xml>

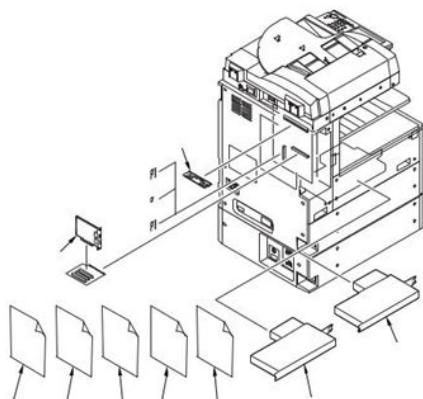


5 of 7

Loading paper without aligning the edges may cause paper jams. When paper is curled, hold the opposing curled corners and gently bend them in the opposite direction until the paper becomes completely flat. See page 172. Note You can use general copy paper or Canon's Super White Paper SW201. You can load up to 150 sheets of plain paper 64 gsm or 17 lb, 13 mm or 0.52 inches in height in the Auto Sheet Feeder. Pinch the Paper Guide and slide it against the left side of the envelope. Loading paper in landscape orientation B can cause the paper to be jammed. Note We recommend using genuine Canon photo media when printing photographs. See "Recommended Paper and Requirements" on page Chapter 1 "Printing with Windows". Loading Paper Note For detailed information on the specialty media Canon provides for use with its various printers, see "Recommended Paper and Requirements" on page Flatten the four corners of the paper before loading it. Note You can use general copy paper or Canon's Super White Paper SW201. You can load up to 150 sheets of plain paper 64 gsm or 17 lb, 13 mm or 0.52 inches in height in the Cassette. Note You can also select the paper source with the printer driver. For details, refer to the Printer Driver Guide. Note Fold the envelope flap shut A. Note Printing direction B. This may cause paper discoloration due to natural aging. If you are using photo paper such as Photo Paper Pro and have loaded them in the Cassette, the printout may have roller traces on the print surface. Loading paper in landscape orientation B can cause the paper to be jammed. See "Recommended Paper and Requirements" on page Changing the Print Settings This section describes the Settings screen that can be specified on the Operation Panel when copying, or printing from memory card. Note You can change the print settings on this screen when a PictBridge compliant device is connected to this machine. Reducing or Enlarging a Copy You can reduce or enlarge copies.

The example below assumes that you will select. Copying onto Both Sides of the Paper You can copy two document pages onto the sides of a single sheet of paper, or the sides of a doublesided document onto either the sides of a single sheet of paper or two sheets of paper. Specify the necessary items. "To Change Print Settings" on page Start copying. For details on changing the copy settings and setting items, see page You can specify the page size. You can specify the media type. You can adjust print quality for the document to be copied. The Special copy screen is displayed. When the document was loaded in the ADF The machine starts copying automatically after the document is scanned in. Note This function cannot be used in conjunction with other functions. Note

This function cannot be used in conjunction with other copy functions. Load the document in the ADF when using this function. Memory Cards Supported by This Machine The following memory cards are compatible with this machine. Memory cards that can be directly inserted into the Card Slot Memory cards that can be inserted in the Card Slot using the adapter Chapter 3. Use the special adapter provided with the card. Important This machine supports image data created by DCF standard digital cameras based on Exif, and DPOF based on Ver 1.00. Image data taken or saved on memory cards that do not guarantee the action with the digital camera might be unreadable from the machine or the image data might be damaged. The photo selection screen is displayed. Note may be displayed on the LCD while reading the photo. Prepare for printing. "Prepare for printing." on page Note When you use this function, load paper in the Auto Sheet Feeder. You can print all photos saved on the memory card. You can print a list of all the photos saved on a memory card. Note The following print methods are available. Note The following print methods are available Prints the information in the margin of Photo index print of all photos.



<http://eco-region31.ru/bosch-powerstar-ae125-installation-manual>

Prints the information in the margin of selected individual photos. Simply scanning the Photo Index Sheet prints the selected photographs according to the settings you have made. Prepare for printing. Fill in the appropriate circles in the Photo Index Sheet. Fill in the appropriate circles print and their print options. Good A Check mark B Line only. Make sure that you have marked all the necessary circles on the sheet, and confirm its orientation and position when it is set on the Platen Glass for scanning. Canon Bubble Jet Direct allows you to print photos from a Canon Bubble Jet Direct compatible PictBridge incompatible digital camera or digital video camcorder without a computer, by simply connecting the digital camera or digital video camcorder to this machine. Note When printing photos with the digital device connected to the machine, it is advisable to use the AC adapter supplied with the device. A PictBridge compliant device. A Canon Bubble Jet Direct compatible digital camera. Note If neither of these icons appear, see page 179. Different names may be displayed on the PictBridge compliant device depending on the brand or model. This size can be selected only for Canon PictBridge compatible devices note that it cannot be selected for some models. Printing Directly from a Digital Camera or a Digital Video Camcorder This section describes how to print after connecting a camera to the machine. Examples of Connecting the Machine Typical examples of connecting the machine are described below. Connecting External Devices Connecting a

Telephone or Answering Machine via a Computer J Computer K Telephone or Answering machine Connecting a Telephone or Answering Machine Directly. If you are unsure of your telephone line type, contact your telephone company. For ISDN Integrated Services Digital Network or ADSL Asymmetric Digital Subscriber Line connections, contact the telephone company or service provider to confirm your line type.

<http://cornerwebstudio.com/images/bvs2-helmet-manual.pdf>



The User settings screen is displayed. Select the telephone line type. Thus, whenever you send a fax from this machine, the recipient receiving the fax knows who sent it, and when it was sent. The date and time will be reset when you disconnect the power cord or there is a power failure. Note You can also select a button by pressing the OneTouch Speed Dial Key 01 to 08. 2 Use the Numeric buttons to enter a name for the OneTouch Speed Dial Key max. For a list of the recipients you have registered, print the onetouch speed dialing list. See "Printing Speed Dialing Lists". The Coded speed dial screen is displayed. See "Printing Speed Dialing Lists" on page Changing or Deleting a Coded Speed Dialing To change a registered name or number 1 Follow steps 1 and 2 under. Note You can only group numbers that have already been registered for onetouch or coded speed dialing. For details on these dialing methods, see page 86 "Registering Coded Speed Dialing". To enter a onetouch speed dialing entry 1 Press the OneTouch Speed Dial Key 01 to 08. You may want to keep the list near your machine to refer to it when dialing. You can set your machine to automatically change the time by registering the day and time that daylight saving summer time begins and ends. You can see what mode you are in by the character displayed to the right of or. Refer to the pages indicated for more details. Report Or List Activity report Onetouch speed dial list Coded speed dial list Group dial list User's data list Memory list. You can also disable automatic printing of this report, or print it manually. Note For details on the Activity report setting, see Printing the Activity Report Manually Display the FAX menu. The Users data list is printed. TX Report Your machine can print a TX transmission report after sending a document. The higher the image quality, the better the output quality at the other end, but the slower the transmission speed.

<http://www.costarica4u.com/images/bv-2500-manual.pdf>

PIXMA MP830



SERVICE MANUAL

Adjust the image quality according to the type of document you are sending. Display the FAX Quality screen. Sending From Your Machine Memory Sending Prepare for faxing. Important Color sending is available only when the recipient's fax machine supports color faxing. Sending the Same Document to Several Recipients Sequential Broadcasting Your machine allows you to send the same document to a maximum of 109 recipients in one operation. Press the OneTouch Speed Dial Key 01 to 08 that has been assigned the number you want to dial. Automatic Redialing When using memory sending to send a document and the recipient's line is busy, your machine will redial the number after a specified interval. Note Your machine enables you to customize automatic redialing settings to suit your needs. The list of documents stored in memory is printed. Note If there are no documents stored in memory,. If you are unsure of the transaction number, print the Memory list. See Documents in Memory". Checking a Document's Details in Memory If the machine was not able to print a received fax, as when paper has run out or a paper jam has occurred or if ink is running low, the fax is automatically stored in memory. If your machine is connected through a PBX or other telephone switching systems, you have to dial the outside line access number first, and then the number of the party you are calling. Switching Temporarily to Tone Dialing Many information services for banks, airline reservations, hotel reservations, etc. See Note The paper size should be A4, LTR or LGL. Load legal sized paper in the Auto Sheet Feeder. Step 2 Select the receive mode. If you want to receive only faxes automatically with your machine, or have a dedicated telephone line for fax use only. Important Load legal sized paper in the Auto Sheet Feeder. If you want it to ring, connect a telephone to your machine and enable the setting. See page 140. You can also select the number of rings before the machine answers. See "Incoming ring".

Pick up the telephone or answering machine connected to your machine. Note The telephone does not ring when it receives a fax call. If you want it to ring, connect a telephone to your machine and enable the. Note For details on the receive modes, see The receive mode will be displayed on the LCD. Printing with Windows Note Menu and command names may differ between application softwares, and more steps may be required. If it does not match the document size set by the application software, select the matching page size. When the Auto Sheet Feeder Lamp A is lit, paper is fed from the Auto Sheet Feeder. When the Cassette Lamp B is lit, paper is fed from the Cassette. About Scanning Images You can scan images from the machine to a computer without printing them and save them in popular file formats, such as JPEG, Tiff, Bitmap. Scanned data saved on your computer can be processed using image processing software. Scan method select screen is displayed. Save to PC Save as PDF file Attach to Email Open with application Select the scan method. A computer error may have occurred if scanning does not start after the button is pressed, check the error message displayed on the computer and take the corresponding countermeasure. Important When. Example select. The Print Settings Quiet mode Use this function if you want to reduce the operation noise, such as when printing at night. When printing from a computer, you need to set this feature with the printer driver. For details, refer to the Printer Driver Guide. When

printing from a computer, this feature can be used only when both paper sources are loaded with paper other than Credit Card or Legalsized paper. Deletes the specified document stored in the machine's memory. Telephone number list Onetouch speed dial Coded speed dial Group dial Users data list Lists the current settings of the machine and the registered sender information. Three date formats are available;,, and.

<http://furkansigorta.com.tr/wp-content/plugins/formcraft/file-upload/server/content/files/162726bd5e9fea---bremshey-pacer-treadmill-manual.pdf>

TTI position Sets the sender information printed at the top of each fax page. Redial times Redial interval TX start speed Selects the fax sending speed. TX report Sets whether to print a transmission report after each transmission. A telephone needs to be connected for the machine to ring.You can select from,, or. The initial value is set to. Country select Selects the country where you are using your machine. Note This setting may not be available depending on the country of purchase. The machine will not print if the wrong type of ink tank is used, or if it is installed in the incorrect position. The machine uses the following ink tanks. Black CLI8BK Black PGI5BK Yellow CLI8Y. When Low Ink is Detected The message is displayed on the LCD when you start printing. Obtain a new ink tank. To continue printing, select. Caution Do not touch the Print Head Lock Lever B. Remove only the ink tank. Important Handle ink tanks carefully to avoid staining clothing or the surrounding area. Discard empty ink tanks according to the local laws and regulations regarding disposal of consumables. Do not touch the electrical contacts G. Doing so can cause the machine to malfunction or become unable to print. Note Ensure that the Inner Cover is closed. Printing will not occur if the Inner Cover is open. Slowly close the Scanning Unit Printer Cover. Caution Be sure to hold the Scanning Unit Printer Cover firmly using both hands, and be careful not to get your fingers caught. If the ruled lines are shifted Step 1 "Aligning Print Head automatically" on page 153 Routine Maintenance 142. The pattern print confirmation screen is displayed. The two different pattern sets will be displayed by turns for the pattern confirmation screen on the LCD. The screen returns to the Maintenance screen. The machine starts the Print Head cleaning. Important Do not perform any other operations until the Print Head cleaning finishes.

Contact the Canon Customer Care Center Aligning Print Head automatically If the ruled lines are shifted after running the Print Head maintenance, align the Print Head. The confirmation screen is displayed.After wiping, close the Feeder Cover by pushing it until it clicks into place. Close the Document Tray. The sheet of paper is automatically fed in and then out of the machine. If there are no signs of improvement after performing three times, contact the Canon Customer Care Center. Cleaning the Interior of the Machine Bottom Plate Cleaning This section describes how to clean the interior of the machine. The sheet of paper is automatically fed in and then out of the machine. Note This section describes about error messages that are displayed on the LCD or troubleshooting tips for the problems of copy direct printing. If you cannot find appropriate tips for your problem, refer to the onscreen manuals. Take the appropriate action described in the message. The message may vary depending on the version of your Windows operating system. Printing under the situation may damage the Print Head. Canon shall not be liable for any machine malfunction or damage caused by refilled ink tanks.Then, turn the power back on. If this error still remains, contact the Canon Customer Care Center. The document is jammed in the ADF. When the error is cleared, redo the operation. Troubleshooting Action You dialed a coded speed dialing number in which a group is registered. Change the page size you have set. Note Adjusting the Print Head Manually If the Automatic Print Head Alignment does not work or if you wish to adjust the print heads manually, follow the procedure below. The media is loaded with the wrong side facing upwards. The paper stack exceeds the capacity of the Auto Sheet Feeder or Cassette. There is some foreign matter in the Auto Sheet Feeder or Cassette. It may solve the problem. Delete an undesired print job, if there is any.

Use Canon IJ Status Monitor in Windows or Printer Setup Utility or Print Center in Macintosh for the deletion. 1. Open the printer properties dialog box. Performing automatic duplex printing When Copying Cause The document is not loaded correctly. The quality print quality displayed on the LCD is not suitable for the document. The document is not loaded with the side to be copied face down. Follow the steps described below to clean the inside of the machine. 1. Check to see if the paper you are printing on is too thick or curled. "Media types you cannot use" on page Note that smudging may occur at the top and bottom edges of the paper when using Borderless Printing. Troubleshooting Action Use Photo Paper Pro or other Canon specialty paper to print images that have a high color saturation. See "Media types you cannot use" on page Ensure that the media type selected on the Operation Panel matches that of the paper loaded. Troubleshooting. If you cannot remove the jammed paper or the error still persists, contact the Canon Customer Care Center. Note The document may not feed properly depending on the media type, or your environment, such as when the temperature and humidity are either too high or too low. If the document is jammed in the Document Output Slot, pull it out. If you are using a nonCanon PictBridge compatible camera and not sure how to clear the printer error from the camera, confirm the message displayed on the LCD of the machine and clear the error. You will need to replace a particular part of the machine. Replace the ink tank. Printing under the situation may damage the Print Head. Canon shall not be liable for any machine malfunction or damage caused by refilled ink tanks. You have a defective Setup CDROM. The telephone line is not correctly connected. The machine is not set to the appropriate receive mode. Cannot Print a Fax Cause The machines memory is full. A paper size other than A4, LTR or is loaded.

Received faxes are stored in memory and not printed if the ink is running LGL may not be available depending on the country of purchase. Cannot Receive Faxes Automatically Cause The receive mode displayed on the bottom left of the LCD is not, The senders fax machine is not operating normally. Problems Sending Faxes Cannot Send a Fax Cause The machine is not on. The image quality setting or the scan contrast setting is not suitable for the document. The document is not loaded with the side to be scanned face down. ScanGear MP won't start Cause Scanner driver ScanGear MP not installed. Scanner is not selected in the application software. The feature of the application software does not support TWAIN. An error message appears and the ScanGear MP window fails to appear. Scan quality is poor Poor image displayed on the monitor Cause The resolution is low. Specification of the application software. Dirty Platen Glass or inner side of the Document Cover. Error arising from application software specifications. Slow scanning speed Cause Resolution is set higher than necessary. Image correction features such as dust and scratch reduction, fading correction, and descreening are enabled in ScanGear MP. Scanned image enlarged reduced on the computer monitor. Scanned image won't open. When an Error is Displayed Regarding Automatic Duplex Printing Cause The correct media size is not selected in the printer driver. Error No. 300 is Displayed Cause The machine is not ready. Machine is not properly connected. Chapter 11 Action Uninstall then reinstall the MP Drivers. Once the waste ink absorber becomes completely full, printing cannot be done until the waste ink absorber is replaced. Canon recommends to contact the Canon Customer Care Center as soon as possible. Unplug the power cord from the outlet and contact the Canon Customer Care Center. Never attempt to repair or disassemble the machine yourself. Troubleshooting. The actual printable area will be the area without these margins.

If the onscreen manuals have been installed, all of them will be deleted collectively. Print speed may vary depending on system configuration, software, document complexity, print mode and page coverage. Print width Resident print control mode Receive buffer Interface Acoustic noise level Operating environment. Printing on this paper is available only when the Layout function on your camera has a 16up option. "Recommended Paper and Requirements" on page If using a Canon PictBridge compatible camera, you can select it. A dedicated extension off a PBX Private Branch Exchange unit without "Call Waiting" can be used with the machine. Button telephone systems are

not recommended because they send nonstandard signals to individual telephones for ringing and special codes, which may cause a fax error. Users should contact their local authorized Canon Facsimile Service Dealer for the servicing of equipment. A dedicated extension off a PBX Private Branch Exchange unit without "Call Waiting" can be used with your facsimile unit. Button telephone systems are not recommended because they send nonstandard signals to individual telephones for ringing and special codes, which may cause a fax error. It indicates no endorsement of the product by Telecom, nor does it provide any sort of warranty. Above all, it provides no assurance that any item will work correctly in all respects with another item of Telepermitted equipment of a different make or model, nor does it imply that any product is compatible with all of Telecoms network services. All rights reserved. Redistribution and use in source and binary forms are permitted provided that the above copyright notice and this paragraph are duplicated in all such forms and that any documentation, advertising materials, and other materials related to such distribution and use acknowledge that the software was developed by the University of California, Berkeley.

For details on ink tank replacement, refer to "Replacing Ink Tanks" in this guide. Refer to the graphics in the separate Parts Catalog. All trademarks and copyrights in the published materials belong to their respective owners. This page requires Javascript. Modify your browsers settings to allow Javascript to execute. See your browsers documentation for specific instructions. To install your download click on the name of the downloaded file. Scroll down to see your support options. You can also click one of these links to search our extensive Knowledge Base or visit the Canon Community Forum. Resolutions Optical 2400 x 4800 dpi Interpolated 19,200 x 19,200 dpi Page Manager, EasyPhotoPrint version 3.3, and EasyWebPrint IE 5.5 and higher 4 Warranty repair or replacement shall not extend the original warranty period of the Product. A dated proof of purchase is required at the time of warranty service. A copy of your dated bill of sale will satisfy this requirement. This warranty does not cover any accessories, or any consumables, such as paper or ink cartridges, as to which there shall be no warranty or replacement. Repairs of such Canon brand peripheral equipment shall be governed by the terms of the Separate Warranty. The sole warranty, if any, with respect to such nonCanon brand items is given by the manufacturer or producer thereof. Without limiting the foregoing, dropping the Product, scratches, and abrasions will be presumed to have resulted from misuse, abuse or failure to operate the Product as set forth in the users manual or other documentation for the Product. The name and telephone number of the ASFs near you may be obtained from Canon USAs Web site at www.canontechsupport.com or by calling the Canon USA Customer Care Center at 18008284040, or any time while speaking to a technical support person. A Product covered by this limited warranty will be repaired or exchanged, as determined by Canon USA, and returned without charge by the ASF.

If the problem cannot be corrected over the telephone, and you elect the InstantExchange option, a reference number will be issued to you. You will be asked for the Product serial number and other information pertaining to your Product and for a ship to location for the replacement Product must include street address. After receipt of the replacement Product with instructions and a prepaid waybill, follow the enclosed instructions on how to ship your product to the Canon USA repair facility. Your Product must be returned in the shipping carton in which the replacement Product was packed and include the reference number, A COPY OF YOUR DATED PROOF OF PURCHASE BILL OF SALE, and a complete explanation of the problem. Canon USA does not guarantee same day shipment in the event of the occurrence of factors beyond its reasonable control. The replacement Product you receive may be a refurbished or reconditioned unit and will be covered for the balance of the period remaining on your original limited warranty. The driver may be included in your OS or you may not need a driver. Recommended Drivers File Name Date File Size Optional Drivers File Name Date File Size Recommended Software File Name Date File Size Optional Software File Name Date File Size Recommended Manuals File Name Date File Size Optional Manuals File Name Date File Size Scroll down to easily select items to add to your shopping cart for a faster, easier checkout.

Visit the Canon Online Store Glossy finish for impressive photos. Genuine Canon Paper for quality images. An economical choice for great prints. An economical choice for great prints. Optimize output resolution to create nearphotographic images. This paper is great when you want highquality color output to produce winning reports and eyecatching graphics. Use with genuine Canon Photo Inks for true photoquality output. Package includes 100 sheets. Great for portrait and wedding and fine art photography prints. Package includes 50 sheets.

<http://superbia.lgbt/flotaganis/1649227331>