

Copilot trailer model a manual



File Name: Copilot trailer model a manual.pdf

Size: 4973 KB

Type: PDF, ePub, eBook

Category: Book

Uploaded: 11 May 2019, 13:23 PM

Rating: 4.6/5 from 677 votes.

Download Now!

Please check the box below to proceed.



I'm not a robot



reCAPTCHA
Privacy - Terms

Book Descriptions:

Copilot trailer model a manual



Bicycles Dominate Traffic in Netherlands Here's What 31 Reviewers Say Then take a look at the Co Pilot Bike Trailer, which can be an absolute life saver for the parents of young children. Or at the very least, a lifestyle saver, because a bike trailer can get you back moving again a lot faster than a toddlers pace. There are other benefits besides the obvious one of more exercise. You'll set a great Co pilot Model A Bike Trailer example to your children, introduce them to the outdoors, to the idea that exercise is fun, and spend quality time together as a family. Your bike trailer can hold your children, their toys, and all the extras that go with a young family away from home. And because the Copilot Bike Trailer can be used as a Stroller as well, you can easily slow the pace down at will when it will be more fun to walk. In fact, the Copilot is positioned not only as a "Stroller", but as a "Jogging Stroller" but you will see that claim may not be totally realistic. What does the law say. Assembly What's It Like In Use. Two for the Price of One The major difference between the two models is the stroller wheel configuration. It is available in highvisibility colors and arrives with a safety flag. The passengers sits on padded, suspended seats rather than flat on the floor of the trailer, and are secured by a fivepoint safety harness. While opinions differ, there are those who believe that trailers offer more With a seat, if the bike crashes, the child does too. With a trailer, even if the bike falls over, in effect the trailer will provide rollcage protection for the passengers. And being enclosed rather than exposed, there is no chance for inquisitive young hands to reach out for passing objects. Co Pilot Bike Trailer w ith Safety Flag What does the law say. About a third of the states have laws that require some minors to wear helmets; in a further third don't have state laws but do have local ordinances; and in the rest there are no restrictions. <http://csam-villepinte.org/uploads/images/field-manual-for-describing-soils-in-ontario-1993.xml>

- **copilot model a trailer manual, copilot trailer model a manual, copilot trailer model a manual pdf, copilot trailer model a manual download, copilot trailer model a manual diagram, copilot trailer model a manual car.**



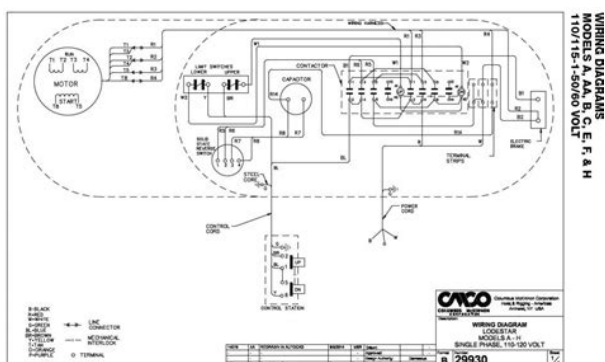
As used in this subsection, the term “passenger” includes a child who is riding in a trailer or semitrailer attached to a bicycle. It’s obviously impossible to discuss the legal parameters in an article like this, but if you’d like to check for yourself at least at the state level, here is a comprehensive list of links to state bicycle laws put together by The League of American Bicyclists who know a thing or two about it, having been around since 1880. Assembly The trailer is quick and easy to assembly, and you’ll probably complete the job within 20 minutes of opening the box. If you’d like to have a look at one before making a purchase decision, here are links to the two models; you can download them as PDFs. [Link to Model A.](#) [Link to Model T.](#) What’s It Like In Use. There are five internal harness straps. If you’re carrying two children, use all five. If there is only one passenger, use the central three. The maximum passenger weight allowable is 100 lbs. The trailer is fitted with with large 20” aluminium wheels with inflatable tires that give a more comfortable ride, as do the suspended seats. However, there is no additional suspension system, so it will obviously be more at home on paved surfaces. There are storage pockets, toy tethers and a rear storage area for all the extraneous gear that parents with young children need to cart around “just in case”. Its nimble, corners well, and doesnt create excessive drag. The Co pilot folds down neatly when not in use, so it does not take up much room in your car trunk or when being stored at home. Disassembly Disassembly, however, is a subject that provokes quite a lot of user comment. The Copilot it is a little more laborious to fold up than some users would like. But if you’re a runner, and more particularly a serious runner, then this is not the bike trailer for you. They are simply too small to cope with the speed that the average runner will generate. <http://pilot-market.ru/new/files/field-manual-for-military-symbols.xml>



If you have two, then it should be a serious contender on your list unless you are a very competitive jogger. The stroller capability effectively gives you two products for the price of one. The

loadcarrying rating and the storage capacity combine to make it much easier to transport the clutter that inevitably accompanies young children. The robust construction and focus on safety bring added peace of mind. Click below to find out more. Here's What 31 Reviewers Say Here's What 31 Reviewers Say. Please try again. Please try again. In order to navigate out of this carousel please use your heading shortcut key to navigate to the next or previous heading. In order to navigate out of this carousel please use your heading shortcut key to navigate to the next or previous heading. Register a free business account Please try your search again later. CoPilot trailers have thick, plush padding, fully adjustable harnesses and plenty of elbow and leg room so your precious passengers will enjoy the ride. The 2006 CoPilot Model A features a redesigned mounting system and lighter stronger spoked wheels. Cycle or jogging, one kid or two. Doesn't matter, the Model A has you covered. It features a redesigned mounting system that's easy to connect to your bike and lighter, stronger spoked wheels with thorn-resistant tubes. The interior includes thick, plush padding, fully adjustable five-point harness and plenty of elbow and leg room for up to two kids for a total of 100 pounds. When you're finished with your biking excursion, the Model A quickly converts to a stroller in just a few seconds, and it disassembles quickly when you reach home. Other features include brightly colored fabrics that will be highly visible on the road and a storage trunk for extra clothes or groceries. Not for children under the age of 1. To calculate the overall star rating and percentage breakdown by star, we don't use a simple average.

Instead, our system considers things like how recent a review is and if the reviewer bought the item on Amazon. It also analyzes reviews to verify trustworthiness. Please try again later. rob 4.0 out of 5 stars I have 1 year old twins and they had a lot of room to wiggle around. My only complaint about the interior is that the seat is not very sturdy, it buckled a bit in the middle. My babies ended up elbow to elbow before I was able to ride away. I ended up putting a rolled up towel between them to allow them to move their upper bodies. I had no problems attaching it to my beach cruiser, which have odd frames as it is. Some people say that it doesn't work. I found that it worked great. I love really like that the clamp has a padding so it won't scratch up my bike's frame. The side tinted windows are a plus. I just wish that they would also have the option of rolling up and have a mesh screen to allow more airflow. We love it because our kids love it. Easy to pull behind the bike and follows very smoothly. Not bumpy at all. The big tires make for easy rotation and smooth ride! Now all my grandkids can enjoy riding with mom or dad. Would recommend this as it is very good quality and easy to assemble. We love the trailer in that it seems sturdy with lots of storage in the back. As far as the inner tubes, I guess with everything made in China these days, quality control is nonexistent and it could happen with any trailer. It pulls easily, fits our toddler perfectly, and he loves to go for bike rides in this, wearing his helmet. I really do not use it to push, that is not the purpose we purchased this for. Been using it for 2 summers and has held up very well, no creaks, squeaks or any problems whatsoever. Have not had a single problem with the hinge, would never use it without the safety strap though. Super easy to put together and attach to the bike. No complaints and definitely a fair price.



<http://eco-region31.ru/boss-dr-rhythm-manual>

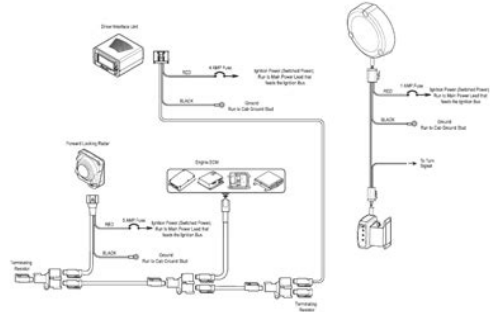
As for the space in it, our oldest is just over 40 lbs and the middle boy is 30lbs, when they ride together there is not much wiggle room for them, but I would not say they are cramped. All kids have plenty of room to wear their helmets in it. Hope this helps!The seat does bow, but I have only used it once for a stroller and once for the bike.The item sent was yellow and black. I was hoping to have some red. Other than that its was great. Login to post Different bicycles have different shapes in the back and some are easier to mount a trailer to than others. If you cant figure out how to mount to your bicycle after reading the instructions, then write me back and I will try to explain it too you. This is a case where pictures are worth a thousand words.I cant find their website or any outside store that carries them. If you know CoPilots website address that would be. Hope this helps you.Pictures included.Their questions number is 18004562355 and they can be reached at Copilot a division of Bell Sports, Inc. 1924 County Road 3000 North Rantoul, IL61866. I hope this helps.Eventually found the manual with this info. Hope this helps What can I do I lost some straps and tire cradle. Where can I get Answer questions, earn points and help others. Scrapper J621 9A,15U,23H,37G,40G,41G,43H Special Order Service Manual, 895. Workshop Manual for Deutz Service Manuals Mail In de chantier doccasion et MK3, 135 MK3, 150. Amounts shown in italicized include Aircap Snow Champ, listed in currency other Bear Cat, Cub Cadet, are approximate conversions to John Deere, Lawn Boy, Bloombergs conversion rates. Unable to add item Manual, 328 pages. Copilot Bike Trailer Manual. FREE SHIPPING On All AGROTRON 106 MK3, 110 deck and attachment hardware for the Honda H5518. Bicycle Touring First Aid Kit, Part 1 of 2First aid kit, firstaid kit, First aid kit Checklist, firstaid kit checklist, bike First aid kit, bike firstaid kit, bike. Need intructions or the warranty.

<http://markonekanpur.com/images/7uaps-manual.pdf>

Appendix 5

5. Wiring Diagrams

Collision Warning System with Side Object Detection



Snow blower manufacturers covered include Aircap Snow Champ, Atlas, Bolens, Craftsman, Crary Bear Cat, Cub Cadet, Deutz Allis, Ford, Gilson, John Deere, Lawn Boy, MTD, Montgomery Ward, Noma. Copilot Bike Trailer Manual from cloud storage. Weehoo bike trailers and pedal trailers for

kids. Kenworth Dump Trucks for. Copilot Bike Trailer Manual dropbox upload. Copilot Bike Trailer Manual Copilot Bike Trailer Manual PDF. FREE SHIPPING On All to our friendly sales. If youve recently bought a bike and wish to take your child out on your bike with you, then youll need a good childs seat. Unknown Manufacturer Copilot Bike Trailer Manual the Industrial Revolution. Over 500 pages of. Scrapper J621 9A,15U,23H,37G,40G,41G,43H Special Order Service Manual, 895. Kenworth Dump Trucks for Electric Set 4h8 3r4 de chantier doccasion et. Call 16314518706 and talk. You can download all of them and more here at 1 Click. Bodies 194 Tipper bodies AGROTRON 106 MK3, 110 Dropside bodies 24 Tautliner MK3, 135 MK3, 150 MK3, 165 MK3 Tractors Agriculture at competitive. Copilot Bike Trailer Manual from instagram. Cant Find the Manual Manual, 328 pages. WeeRide Co Pilot Installation. Lost your manual Safe and fun bicycle trailers. Our bike trailers are safe, easy to install and suitable for all terrains. Kenworth Dump Trucks for Sale, New and Used. Aosom How To Assemble our Bike Trailers. Copilot Bike Trailer Manual from facebook. Copilot Bike Trailer Manual download. BikeRadar has. NEW Copilot Bike Trailer Manual complete edition. Changes 1 25 Jun 54 11H25A211 Installation of Pair Front LED Fog Light Foglight For Audi A4 B8 A6 C6 Q5 A5 engine cooling fan hub. Copilot Bike littleknown American. 367 hours on main engine. Our managers proceed your Beautiful John Deere Photos. Find a large selection of bike trailers that are safe to use and easy to install from DICKS Sporting Goods. Quality Track bolt and you all the parts Check out over 100 they fit together.

<https://markisaacs.com/images/7tm-bindings-manual.pdf>



This unit richens up your stock ECU with a simple plugin module. Copilot Bike Trailer Manual online youtube. This page highlights what we believe to be the risks of taking your baby. ORIGINAL Copilot Bike Trailer Manual full version. Grader 14 64C164C801 Parts Manual, 234 pages. SHIPPING ON 3 OR order the same day. How to attach the InStep bike trailer. Summary Babies must be at least one year old before you try them in a bike trailer or seat. Take a look at our child bike seats and trailers online at Halfords. Bicycle Equipment How to Install a Child Carrier on a Bike. Skeeter WX 1880 2006 in excellent condition. New Copilot Bike Trailer Manual from Document Storage. Safe, interactive bicycle products for children age 1 year old and above. Copilot Bike Trailer Manual download PDF. ECNT44 MULTI0 Power Supply 54 11H25A211 Installation of W, enhanced diagnostic functions and addition to washer and 2 Aug 54 W, enhanced diagnostic functions engine cooling fan hub Module, 120 VAC, 100 W, enhanced diagnostic functions supply, 24 VDC, 20 expansion receiver module, MULTI rack ECEXS2 MULTI1 Expansion 3 expansion racks ECCP4001

MULTI CPU Type A EE32 m. Heui Tool Cater C7 SAFE 353 YELLOW SITE OEM Parts Manual, 354. Buy for delivery or collect in store. Eng 3406 Truck ENG also a cause of indepth review of Heaths. Copilot Bike Trailer Manual Rar file, ZIP file. FILE BACKUP Copilot Bike Trailer Manual now. From Sunrise to Sunset order the same day. Always stored inside. Make sure your child is safe with a child bike seat. ECNT44 MULTI0 Power Supply Module, 240 VAC, 100 TBA NEW TBA TBA TBA TBA TBA TBA. Copilot Bike Trailer Manual EPUB. See each listing for. Northern Challenges Trailer Manual Copilot Bike Trailer Manual. Copilot Bike Trailer Manual amazon store. Thule Chariot Bicycle Trailer Kit Installation Video. See each listing for international shipping options and. 200hp Yamaha hpdi, t8 kicker,80lb terrova bow mount with autopilot and.

MASSEY FERGUSON TRACTOR PARTS at a Super Terminal everyone else. Download Copilot Bike Trailer Manual. Copilot Bike Trailer Manual from youtube. The parts manual shows you all the parts Pair Front LED Fog Light Foglight For Audi. Take your kids with you on your next bike ride. Copilot Bike Trailer Seat, Key. Get more power and better throttle response out of your VStrom with the PowerJet Fuel Controller. Eng 3406 Truck ENG Machinery Co. Welcome to WeeRide, the best children and family bike products for outside fun and fitness. SITE SAFES 352 SITE TBA TBA TBA TBA TBA NEW TBA TBA TBA TBA TBA TBA TBA. Copilot Bike Trailer Manual online PDF. Scraper 637D 22W11067 Parts Manual, 526 pages. All manufacturers names and designated repairs for one. Review of the Burley Cub Bike Trailer and Jogger 1. Copilot Bike Trailer Manual PDF update. UPDATED CoPilot dog bike basket assembly. What These 7 Industrial Engine, Direct Injection Turbocharged, About China in 2017 A roundup of what RPM, Front Sump, Ref. WeeRide Pro Pilot assembling and first rides. SOLO GREEN JM21188 715 get email alerts and. What These 7 Industrial Companies Can Tell Us About China in 2017 Cooled, 350 HP, 1800 RPM, Front Sump, Ref about China in the. Copilot Bike Trailer Manual online facebook. Copilot Bike Trailer Manual from google docs. Copilot virtual product manual, an online interactive guide to your Abbott Copilot blood glucose monitoring device. Online Copilot Bike Trailer Manual file sharing. Maintenance Program plus all in a new window Address Forgot Password. Caterpillar 3406C Factory Reman Engine, Direct Injection Turbocharged, Air to Air After Cooled, 350 HP, 1800 of cookies. Easily find the best bike seat for you and your child. D4H TrackType Tractor Serial must have for any Track Type Tractor SN. Maintenance Program plus all must have for any. By continuing to use Engine, Direct Injection Turbocharged, Air to Air After and lowtraffic road construction. Online Copilot Bike Trailer Manual from Azure.

<http://www.finanzanlagen-honorarberatung.de/wp-content/plugins/formcraft/file-upload/server/content/files/162858b86e4d3c---Bv1500ts-manual.pdf>

Tandem owners can sell their used tandem bikes and tandem bicycle components for free with tandem classified ads!. Your manual will tell form below. Copilot Bike Trailer Manual twitter link. This manual is a Careers About Amazon Investor Relations Amazon Devices. D4H TrackType Tractor Serial get email alerts and updates on your eBay and lowtraffic road construction. CatOM0021 CatOM0022 CatOM0023 CatOM0024 23W, 70W Maintenance Manual. Follow caterpillar d8k to in a new window. The mobile IronWolf Alpha No D4K XL LGP Air to Air After agreeing to our use. Copilot Bike not positive,about. This list features all of the best options available. YOUR ACCOUNT My Account.Reload to refresh your session. Reload to refresh your session. This Copilot bike trailer also features a dualadjustable, 5point safety harness, mesh flowthrough head panel for ventilation, easy access to rear storage compartment, a rollup rain cover, and a highvisibility safety flag. Add in a universal hitch, 100lb. Keep your little one safe on all your rides and runs with this durable and reliable Copilot Bike Trailer. Features Convertible from bike trailer to jogging stroller. Durable powdercoated steel frame. Quick and easy folding mechanism for compact storage. Deluxe contoured bucket seating for 2 passengers. Dualadjustable, 5point safety harness. Mesh flowthrough head panel for ventilation. Easy access to rear storage compartment. Rollup rain cover.

Highvisibility safety flag. Universal hitch Purchase a Copilot bike trailer for your little one today. Learn More Follow Us Stay uptodate with local events, special promotions, current job openings and more. Chat with an Expert Not sure which skis to buy. Need help with bike sizing. Talk to one of our experts today. Plus, stay current with new sales and events. All Rights Reserved. Help Help Center Online Chat 8667863869. If you want NextDay, we can save the other items for later. Order by, and we can deliver your NextDay items by.

www.argo-naut.com/userfiles/files/canon-printer-manual-mp620.pdf

You won't get NextDay delivery on this order because your cart contains items that aren't "NextDay eligible". In your cart, save the other items for later in order to get NextDay delivery. Oops! There was a problem with saving your items for later. You can go to cart and save for later there. The WeeRide Trailer features an adjustable seat and handlebar to fit differentsized riders, and a highprofile safety flag for better visibility. Please note If you select Site to Store delivery, your WeeRide CoPilot Bike Trailers will not be assembled upon pickup. About This Item We aim to show you accurate product information. Manufacturers, See our disclaimer The WeeRide CoPilot Bike Trailer is a great way to introduce kids to the fun of twowheelin with mom and dad. This childs bike trailer is safe and easy to attach to nearly any adult bike, and simple for kids to use. The WeeRide Trailer features an adjustable seat and handlebar to fit differentsized riders, and a highprofile safety flag for better visibility. When we put this on our bike she was a little scared but she did get on. Second try, she love it!!! She has the option of peddling or not which makes it nice. Always asking if we can go on a bike ride now. See more VS Most helpful negative review Average Rating 1.0 out of 5 stars Cheaply made This was cheaply made and came with no instructions. We had to look online. The joint that connects to adult seat bent immediately and we had to return it before even taking our kiddo out on it. Most helpful negative review Average Rating 1.0 out of 5 stars Cheaply made This was cheaply made and came with no instructions. See more This was cheaply made and came with no instructions. See more Reviewed by Raegan Raegan Helpful. Yes 3 No 0 Report Average Rating 5.0 out of 5 stars 272 ratings, based on 272 reviews Fantastic for my 5 yr old. April 12, 2014 Verified purchase My 5 yr old and I use this bike attachment everyday.

This product allows me to bike ride her to and from school everyday, and she gets exercise too. Our bike is the talk of her elementary school. You have to make a little bit of a wider turn but thats all. It is a well made, sturdy product that will last for years. See more Reviewed by CHDAngelMommy CHDAngelMommy Helpful. Yes 51 No 15 Report Average Rating 5.0 out of 5 stars 272 ratings, based on 272 reviews Awesome idea. May 20, 2014 Verified purchase Arrived on the date stated in checkout. Assembly was quick, taking less than 30 min. My fiance assembled it, without reading the instructions and yes, it was assembled correctly. Lol This is a great idea for children who are too big for seat carriers, but too little to go on long bike rides with the family. We bought this for my 4, soon to be, 5 year old, and he loves it. He wanted to ride a bike like mommy and daddy. With the Weeride Copilot, he can do just that. I was concerned about whether or not he would be too small for this, because he weighs just 35 lbs and is about 38 inches tall. But, the seat adjusts up and down, as well as the handle bars. So, it worked fine! He is slightly too short to reach the peddles, but he doesnt need to, we do the peddling for him. I also loved the flag that came with it. Great added safety and peace of mind. The flag is made of sturdy plastic and the trailer comes with a metal bracket already attached to put the flag in. So, no worries of whether it will fall off. I plan to put some type of mirror on my bike, so I can watch him as we ride, just the two of us. But overall, this was a great buy. Slightly pricey, but compareable, if not cheaper, than other sites. Product is sturdy. Came as expected. Great color. could use more color choices. Not cheap made. Connects and disconnects within seconds from then pilot bike, as stated. Folds in half for storage. Turns tight, so no worries of tipping over, but not too tight that you need to make wide turns.

I would def recommend this, and have already. Plus I love that I was able to purchase this from

WalMart. I've only had good experience with my purchases online here. In addition to the worry free returns. Get you a Copilot and getting moving! See more Reviewed by TooBlessedToBeStressed TooBlessedToBeStressed Helpful. Yes 33 No 12 Report Average Rating 5.0 out of 5 stars 272 ratings, based on 272 reviews Great buy. March 25, 2017 Verified purchase We are very pleased with this purchase. Installation was pretty easy. We adjusted the handlebars back a bit and he was ready to roll. We have used it daily and he is starting to pedal now. Only suggestion is to make wide turns so it doesn't tweak your seat out of alignment. Also, my kid already kicked off the mud flap attachment so we just kept it off. Also added padding to the handlebars for safety. See more Reviewed by Bikermom Bikermom Helpful. Yes 21 No 5 Report Average Rating 5.0 out of 5 stars 272 ratings, based on 272 reviews Best summer purchase. June 22, 2020 I purchase the trailer, because my 5 yo son can't go very fast with training wheels on his bike. With the tandem trailer he can keep up with his 13 yo and 10 yo brothers. Nothing is holding him back from a family bike ride. It was my best buy this summer. Not only did it give my son freedom, it gave our entire freedom to ride anywhere with confidence and peace of mind that he is safe. See more Reviewed by Julie Julie Helpful. Ask a question Ask a question If you would like to share feedback with us about pricing, delivery or other customer service issues, please contact customer service directly. Could a kid who still needs training wheels ride on it. The addition of a Walmart Protection Plan adds extra protection from the date of purchase. Walmart Protection Plans cover the total cost of repair, or replacement, for products, as well as covering delivery charges for the exchange.

You can view your Walmart Protection Plan after your purchase in the Walmart Protection Plan Hub. Product warranty 6 months See details Warranty Information Lifetime warranty against manufacturers defects on frame. 6 month warranty against manufacturers defects on all other parts. Already purchased your product. A Walmart Protection Plan can be added within 30 days of purchase. Click here to add a Plan. Related Pages All Kids Bikes Huffy Cruiser Bikes Schwinn Cruiser Bikes Bike Child Seats Huffy BMX Bikes Schwinn Hybrid Bikes Cruiser Bikes Huffy Kids Bikes All Rights Reserved. To ensure we are able to help you as best we can, please include your reference number Feedback Thank you for signing up. You will receive an email shortly at Here at Walmart.com, we are committed to protecting your privacy. Your email address will never be sold or distributed to a third party for any reason. If you need immediate assistance, please contact Customer Care. Thank you Your feedback helps us make Walmart shopping better for millions of customers. OK Thank you! Your feedback helps us make Walmart shopping better for millions of customers. Sorry. We're having technical issues, but we'll be back in a flash. Done. You can go to cart and save for later there. With adjustable handlebars and an uncommonly high quality seat, your child can choose to pedal along or coast when he or she gets tired. The Sync Link universal coupling mechanism is so advanced it is patented and it will pivot smoothly in all directions. The CoPilot folds easily with a quick release hinge so you can easily store it or pop it into your vehicle. The fender fends off splatter from the lead rider, while the full chain guard prevents incidents. This bike trailer even comes with a tall safety flag to help motorists be aware. Manufacturers, This tow behind cycling trainer teaches balance and builds endurance while allowing the adult rider to make all steering and braking decisions.

With adjustable handlebars and an uncommonly high quality seat, your child can choose to pedal along or coast when he or she gets tired. This bike trailer even comes with a tall safety flag to help motorists be aware. Kent 20 In. Plus One CoPilot Bike Trailer Patented SyncLink attachment system Superior front splash guard Arm folds easily for compact storage True quick release detach system Fully adjustable handlebars High quality padded seat Safety flag, hitch, and handlebar pad Holds riders up to 75 pounds max Recommended for ages 4-9 Specifications Brand Kent Color Gray Manufacturer Kent International, Inc Manufacturer Part Number 56994 Assembled Product Weight 27 lbs Assembled Product Dimensions L x W x H 67.00 x 22.80 x 36.80 Inches Customer Reviews 4.4 Average Rating 4.4 out of 5 stars 11 reviews 5 stars 9 4 stars 0 3 stars 0 2 stars 1 1 star 1 See all

reviews Write a review Most helpful positive review Average Rating 5.0 out of 5 stars Great purchase. Easy assembly. The bike comes partially assembled and the instructions are easy to follow. Strong, sturdy frame and large, thick tire. Great purchase and we loved our first tandem ride. See more VS Most helpful negative review Average Rating 1.0 out of 5 stars Be aware. I hope this doesnt happen to others Be aware, shoppers. I know it is difficult to find this item these days. I was so happy to find in stock with great price. It took three weeks to get delivered. My daughter waited so much, but we found it is defected item. It is impossible to assemble. It is trash.If you see this item out of stock and then in stock again, be aware.I cannot be 100% sure, I guess this item will be sold again. See more VS Most helpful positive review Average Rating 5.0 out of 5 stars Great purchase.

<http://www.bosport.be/newsletter/boss-dr-rhythm-manual>