



File Name: Cz 527 Owners Manual.pdf

Size: 1778 KB

Type: PDF, ePub, eBook

Category: Book

Uploaded: 6 May 2019, 12:44 PM

Rating: 4.6/5 from 641 votes.

Status: AVAILABLE

Last checked: 4 Minutes ago!

In order to read or download Cz 527 Owners Manual ebook, you need to create a FREE account.

[**Download Now!**](#)

eBook includes PDF, ePub and Kindle version

[Register a free 1 month Trial Account.](#)

[Download as many books as you like \(Personal use\)](#)

[Cancel the membership at any time if not satisfied.](#)

[Join Over 80000 Happy Readers](#)

Book Descriptions:

We have made it easy for you to find a PDF Ebooks without any digging. And by having access to our ebooks online or by storing it on your computer, you have convenient answers with Cz 527 Owners Manual . To get started finding Cz 527 Owners Manual , you are right to find our website which has a comprehensive collection of manuals listed.

Our library is the biggest of these that have literally hundreds of thousands of different products represented.



Book Descriptions:

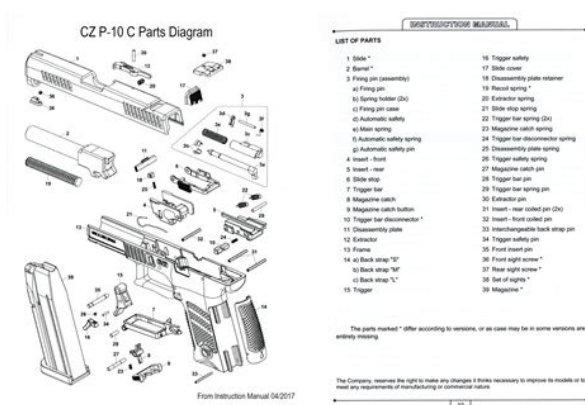
Cz 527 Owners Manual



Improper and careless handling of the firearm could result in unintentional discharge and could cause injury, death or damage to property. The same consequences can be caused by any unauthorized modifications or adjustments, corrosion, or use of nonstandard or damaged ammunition. In these cases the manufacturer shall not be responsible in any manner whatsoever for the resultant consequences. Before leaving the factory this firearm was tested, carefully inspected, and packed. CZ cannot accept responsibility for product handling while in transit, or upon leaving the factory. Therefore, please examine this firearm carefully at the time of purchase to ensure that it is unloaded and undamaged. This instruction manual should always accompany the firearm and that even in the case of its loan or sale. CONTENTS SAFETY INSTRUCTIONS 18 THE CZ 527 RIFLE DESCRIPTION AND TERMINOLOGY 20 OPERATING INSTRUCTIONS 22 Ammunition 22 Magazine Removal 22 Magazine Loading 22 Loading of the Rifle 22 Unloading of the Rifle 23 The Safety and its Operation 23 Settrigger Operation 23 Trigger Adjustment 23 Sight Adjustment 24 Rifle Scope 24 MAINTENANCE INSTRUCTIONS 24 Stripping for Cleaning Disassembly 24 Disassembly of the Bolt 25 Cleaning of the Rifle 25 Cleaning the Barrel Bore and the Cartridge Chamber 25 Cleaning of Other Rifle Parts 26 Preserving 26 Waste Management 26 LIST OF PARTS 27 TROUBLESHOOTING, CAUSES AND REMEDIES 28 TECHNICAL SPECIFICATIONS 29 LIST OF ILLUSTRATIONS 30 17 3 SAFETY INSTRUCTIONS Always follow the safety instructions for your safety and the safety of others. 1. Always handle your firearm as if it were loaded. 2. Never point your firearm at anything you do not intend to shoot. 3. Never take anyones word that a gun is unloaded. 4. Always make sure that your firearm is not loaded before laying it down, or handing it to another person. 5. Always store your rifle unloaded with the striking mechanism released.

6. <http://www.hotelvasto.it/img/brother-dcp-j125-printer-service-manual.xml>

- **cz 527 owners manual, cz 527 american owners manual, 1.0.**



Never abuse your firearm by using it for any purpose other than shooting. 7. Never leave a loaded firearm unattended. 8. Prior to loading the firearm make sure that barrel bore, chamber, and action

are clean and clear of obstructions. Clean a dirtied firearm immediately so that it will function properly and safely. 9. Always use only clean, dry, original high quality commercially manufactured ammunition, which is appropriate to the caliber of your firearm. 10. Never drink alcoholic beverages or take drugs before or during shooting. 11. Always wear safety glasses and ear protection during shooting whenever possible. 12. Always keep the safety on when the rifle is loaded with a cartridge in the chamber, until you are ready to fire. Keep firearm pointed in a safe direction when disengaging the safety. 13. A rifle with an activated settrigger should be handled with maximum care, as even jolts during handling operations could cause an unintended discharge. 14. Always keep clear and keep others clear of the ejection port. 18 4 15. Never squeeze the trigger or put your finger in the trigger guard until you are aiming at a target and ready to shoot. 16. Always be absolutely sure of your target, and the area behind it, before you squeeze the trigger. If a hangfire slow ignition has occurred, the cartridge will fire within 30 seconds. If the cartridge does not fire, eject the cartridge and examine it. If something like this happens let the firearm to be examined and tested by a competent gunsmith. 19 5 THE CZ 527 RIFLE DESCRIPTION AND TERMINOLOGY The names of basic rifle parts used in this Instruction Manual are presented in Fig. 1 on the inner side of the cover. Nomenclatures of all CZ 527 parts are presented in the section List of Parts. The CZ 527 is a light repeating rifle with a Mauser type bolt action. The trigger mechanism is of a single set design with an adjustable settrigger; a single stage trigger is supplied on special order. <http://alt-1c.ru/userfiles/brother-dcp-115c-manual-espa-ol.xml>



The trigger is adjustable for pull weight and trigger travel. The safety secures the rifle against unintentional discharge and at the same time blocks the bolt in a closed position. The top of the receiver has milled grooves to accommodate scope mounts. The stock surface is made in a semimatte polyurethane lacquered finish. The rifle is produced in several versions. Characteristic features of all versions are the CZ 527 is wellbalanced and consequently quick and easy to aim easy mounting of rifle scope controlling elements, which are simple in operation, and easy to reach bolt handle, trigger, safety, bolt catch, magazine catch completely adjustable trigger mechanism, alternatives with settrigger or without settrigger easy disassembly for cleaning and routine maintenance, which can be carried out without any tools a high degree of accuracy when firing and long service life high functional reliability in all environments, even with ammunitions made by various manufacturers, and with different types of bullets 20 6 Model Description Lux Exclusive FS American Prestige Carbine Varmint Hunter, Royal Classic walnut stock provided with a cheekpiece. This model is designed for aiming with mechanical sights as well as optical sights. Luxury version with stock made from highly figured walnut wood with a cheekpiece complete with contrasting ebony capped foreend and pistol grip. The metal parts surface is lustre polished, the bolt is jewelled. This model is produced with floating barrel. Full stock with cheekpiece and shortened barrel and rubber buttplate. Walnut stock without cheekpiece and with reduced drop at heel. This model is designed for aiming with optical sights only. Luxury version adapted to the requirements of markets

in the USA and Australia. This model stems from version denominated American, additionally the stock is made from handpicked walnut wood. Rifle made in shorter barrel version with a classic walnut stock without a cheekpiece.

Full stock without cheekpiece, with reduced drop at heel and strengthened foreend. The barrel is of heavier type, floating, without mechanical sights, the stock is designed for aiming with optical sights only. Varmint USA is supplied with laminated or plastic stock. The stock made of Turkish walnut Hunter or American walnut Royal having cheekpiece of a new shape with reduced drop and wide forearm. Free floating barrel without sights. Stock is designated especially for sport shooting with riflescope. 21 7 OPERATING INSTRUCTIONS Ammunition Use only factorymanufactured ammunition of appropriate caliber, which are in compliance with CIP regulations International Proof Commission for Firearms or SAAMI Sporting Arms and Ammunition Manufacturers Institute Inc. The use of other cartridges could damage the firearm or cause injury to the shooter. Magazine Removal Using one finger press the magazine catch towards the magazine Fig. 2, and with the remaining fingers grip the magazine bottom, and remove the magazine from the rifle. Magazine Loading With the open end uppermost, grasp the magazine in one hand. Place a cartridge on the magazine follower with the base just forward of the retaining lips. Press the cartridge down and back until its base touches the rear flat edge of the magazine. Place the next cartridge on top of the previous cartridge and slide in as already described. Loading of the Rifle ALWAYS MAKE SURE THE RIFLE IS POINTED IN A SAFE DIRECTION WHEN LOADING. Insert a loaded magazine into the rifle and check that it is securely caught by the magazine catch. Grip the rifle with the left hand by its foreend, place the buttplate against your body, and grip the bolt handle with the other hand. Open the bolt by raising the bolt handle and pulling it to the rear to its stop. Then push the bolt continuously to its forward position again and by rotating the bolt handle in a downward direction close the bolt action.

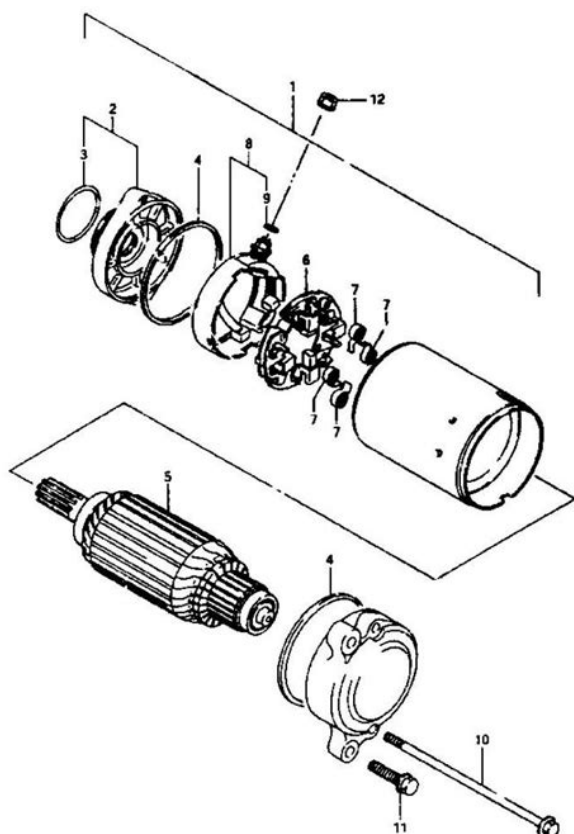


<http://www.raumboerse-luzern.ch/mieten/bose-gsx-321-manual>

This procedure inserts the cartridge into the cartridge chamber and cocks the striker mechanism. The rifle is now ready to fire. If you do not intend to fire immediately, ensure the firearm safety as described further in the section Safety and its Operation. 22 8 Note Loading is also possible for single cartridges by directly inserting into the chamber without the use of a magazine. This move puts the trigger mechanism out of operation, and at the same time blocks the bolt so that it is neither possible to fire the rifle or manipulate the bolt. Settrigger Operation The settrigger is activated by pushing it in the forward Fig. 4. For the reason of safety, activate the settrigger only after the rifle is loaded and shortly before shooting. Do not carry your rifle with an activated settrigger. If you have activated the settrigger and you do not follow through with firing, keep your firearm pointed in a safe direction while carefully engaging the safety and then squeeze the trigger. Subsequently unload the rifle in the manner described above. Trigger Adjustment Independent of whether there is a mounted settrigger or not, the trigger mechanism can be adjusted with respect to

the trigger pull weight, and the trigger travel, before and after discharge Fig. 5. The adjustment can be performed after taking the barreled action out of the stock by means of the setting screws A trigger pull, B trigger travel before and C trigger travel after discharge. 23 9 If the CZ 527 rifle is fitted with a settrigger, the adjustment of the settrigger is carried out by the screw located in front of the trigger Fig. 6. For safety reasons do not adjust the settrigger travel as too short, as the rifle with an activated settrigger is very sensitive to shock, and during handling the rifle could unintentionally discharge. The spontaneous release of the trigger must not occur.

<http://nonogos.com/images/Decision-Table-In-Manual-Testing.pdf>



Note There is a possibility of dismantling the settrigger from the rifle, without any impairment to the functional properties or adjustment of the conventional trigger. Sight Adjustment The elevation correction is carried out by exchange of the front sight, when previously pressing the front sight detent Fig. 7. The front sights are supplied in different sizes. Windage correction can be carried out by the drifting of the rear sight in the dovetail and then secured in its position by an indentation. Rifle Scope Mounting of the riflescope and sighting in of the rifle should be entrusted to a qualified gunsmiths workshop. If you want to dismantle the firing pin spring, press the firing pin spring retainer against the spring pressure approx. 2 mm, and then rotate in any direction by 90 and remove from the firing pin together with spring Fig. 10. Please note carefully the correlated positioning of parts, especially of the bolt body and the bolt body sleeve. After each disassembly and reassembly of the bolt, check for yourself if it is possible to engage the safety in the manner described in this Instruction Manual. CAUTION Do not strip your firearm any further. If you assume that your firearm requires adjustment or repair, entrust this work to a competent gunsmith in a specialized workshop. Cleaning of the Rifle Clean the rifle Each time you use it If you get your rifle wet As soon as possible after shooting At least once a year in a temperate climate As often as once a month in a tropical climate, or other demanding environment Cleaning the Barrel Bore and the Cartridge Chamber If the firearm has not been fired or if only a few cartridges have been fired,

clean the barrel bore and cartridge chamber by a clean patch attached to a cleaning rod. Repeat, changing patches, until the last patch comes out clean. When the barrel bore is very dirty, apply a gun cleaning solution using a cleaning brush.

<http://mitchellbrothersloghomes.com/images/Decision-Making-Manual-Pdf.pdf>

INSTRUCTION MANUAL

CZ 75



Let the solvent act for about 10 minutes this time may vary depending on the solvent agent being used. Then thoroughly scrub out the barrel bore. Subsequently, dry the barrel bore and cartridge chamber with a clean patch and check that all powder residues or fouling have been removed. If necessary repeat this procedure. 25 11 The cleaning rod and the brush must be inserted into the barrel bore from the chamber, to prevent wear or damage to the muzzle. Pass the brush all the way through the barrel bore before reversing the movement. If you try to change directions with the brush in the barrel, the brush could stick. Cleaning of Other Rifle Parts Other parts of the rifle can be cleaned with a dry cloth, old toothbrush, copper bristle brush or a wooden scraper. Preserving oil or paraffin oil can be used for proper cleaning. Never use the agent designed for barrel bore cleaning. These solutions could remain in the joints, and after some time could cause corrosion. Check that cloth particles or brush bristles have not become lodged in any part of the rifle. The maintenance of the stock can be carried out with a dry cloth or by some furniture polishing product. Preserving When the barrel bore, cartridge chamber, and all accessible parts are clean and dry, wipe these parts with a cloth soaked in gun oil or apply the oil in a spray. Remove all excess oil. Before shooting always wipe the barrel bore dry. At very low temperatures remove the oil from all accessible parts or apply a lubricant prepared especially for these conditions. Use thick preserving agents for example, preserving grease only for longterm storage in demanding climate environments, and before any use of the rifle it must be thoroughly removed from all parts of the firearm. Waste Management When used properly, the materials used in the product and packaging have no adverse effects on human health or the environment. However, if such a situation does

occur please observe the following instructions.

CAUTION if a malfunction occurs, the possibility of an unintentional discharge is substantially increased. For this reason, when clearing malfunctions, observe the Safety Instructions already mentioned above. Keep the rifle pointed in a safe direction, do not turn the rifle against your body or anyone else's. Do not place your hands in front of the barrel. The spent case has not been ejected. Magazine is not fully inserted or is damaged. The rifle or cartridges are fouled dirty. Defective cartridge. Firing Pin hole fouled dirty or improper lubrication agent used during low temperature conditions. The primer has been activated but no powder load was inside the cartridge case. Cartridge chamber, extractor or ammunition dirty or unsuitable lubricant in low temperature environment. Insert magazine properly or change magazine. Clean the rifle and cartridges and wipe them dry or as the case may be slightly lubricate. Follow the Safety Instructions according to point 20. Disassemble and clean the firing pin or use low temperature lubricant. Unload the rifle and check that the bullet is not lodged in the barrel. Any subsequent shot could cause damage to the barrel. Clean and wipe the rifle dry or eventually lubricate lightly with a suitable agent. Use clean and new ammunition. Disassembly of the firing pin spring The Company, reserves the right to make any changes it thinks necessary to improve its models or to meet any requirements of manufacturing or commercial nature. 30 16 17 18 Improper and careless handling of the firearm could result in unintentional discharge. Improper and careless handling of the firearm could result in unintentional discharge. If rifle is not cocked, selector lever cannot be pointed toward safe. If rifle is not cocked, selector lever cannot be pointed toward safe. 2. Point rifle in a SAFE DIRECTION!! 3.

<https://www.jemelectric.com/wp-content/plugins/formcraft/file-upload/server/content/files/16289da1e1274e---canon-ex1-manual.pdf>

Remove magazine by pressing magazine catch With proper care and handling, it will give you many years of long, reliable It is vital to your safety and to the safety of others that you accurately follow the information contained Accidental discharge of weapon Made in America For best performance we suggest that you use American Handling and Safety Instructions USA Disregarding information Manuel d instruction. Manual de instrucciones. Break barrel air pistol Patent Pending Keep this manual with your pistol and review it before Failure to follow the safety rules and other Read the instructions and warnings in this manual CAREFULLY Keep this manual with your firearm and review it before Register this product The Green Dot is designed as the primary targeting The CQB Series of Scopes give you many great options so you can choose the scope that best fits your needs. Backed by Though the translation has been checked for accuracy, no claim of 100% accuracy is implied. The stock is formed ergonomically and available as real right We work around the clock and around the globe to ensure that our products maintain The highquality finish of the complete rifle Failure to follow the safety rules and other basic DO NOT DESTROY It is the customer's responsibility to have all operators and service personnel read and understand this manual.Failure to follow the safety rules and other basic safety precautions may result in serious UPC CODE 065857161175 Espresso 065857161168 Pine NOTE Lot number Date of purchase Underlever action. A scope only Karbine air rifle. Fixed barrel precision, WARNING This is not a toy. I was asked to send Medcop a description of how Repair Information.

W Series Geroler Motors Series FULLY SHROUDED BARREL AT4410 Tact QE More Power Even though velocity rates may appear the same from brand Failure to follow the safety rules and other basic safety The information contained As the first Speed Connect The Cimarron MultiPitch Pitching Machine is a high performance pitching machine To use this website, you must agree to our Privacy Policy, including cookie policy. Improper and careless handling of the firearm could result in unintentional discharge and could cause injury, death, or In these cases the manufacturer shall not be responsible in Before leaving the factory this firearm was tested, carefully inspected, and packed. CZ cannot accept responsibility for Therefore, please examine this rifle carefully at the time of This

instruction manual should always accompany the firearm and that even in the case of its loan or sale. Disassembly of the Bolt. Cleaning the Rifle. Cleaning the Barrel Bore Cleaning of Other Rifle Parts Magazine Removal. Magazine Loading. Loading of the Rifle. Unloading of the Rifle. The Safety and its Operation. Settrigger Operation. Trigger Adjustment. Sight Adjustment. Rifle Scope. Preserving A bullet could travel If a hangfire slow ignition has occurred, the round will fire within 30 seconds. If the If something like this happens, let the firearm to be examined and The CZ 527 is a light repeating rifle with a Mausestype bolt action. The trigger mechanism is of a single set design with The trigger is adjustable for pull weight and The stock surface is made in a semi The rifle is produced in several versions. Characteristic features of all versions are Lux. Assembly, a parts list, cleaning.If you have any questions, please send me a message prior to the auctions end. I will answer as promptly as possible. Ships to USA, tracking information will be provided. Thanks! Dated 1974 Offered is a owners manual for a REMINGTON MODEL 700 BOLT ACTION HiPower.

It lists just about everything you need to know concerning use of this Remington Model 700 firearm. Disassembly and assembly instructions, safety features, cleaning instructions, etc.If you own a Remington Model 700 from 1970s and need a manual then this is a opportunity to obtain one. Started cheap and no reserve. Please note that this is listed as a reproduction manual. It is a new reprint or new old stock that is restored and enhanced from a nice original but it is not an original. However it is good quality. The manuals we have purchased or traded and offer online are for instruction purposes and for use in cleaning or repairing your firearm. Not for collecting as a lot of the manuals we have are reproductions acquired from various sources over the years. We buy all manuals in stock and we do not reprint or reproduce any literature personally so please do not ask for specific print jobs. Safe handling. Storage and cleaning of a firearm is a absolute must for all concerned gun owners and hopefully the manuals offered will help with those issues in some way. As for our transaction we like positive feedback, but like happy customers even more. And as always we guarantee any of the products we sell with a no hassle return policy and full money back guarantee. If you have questions or problems with your order, please contact us before leaving feedback. We try to ship as soon as possible after payment is received. We appreciate your interest in our auction and welcome any comments or suggestions you may have. Feel free to email us. Thank you. Powered by The free listing tool. List your items fast and easy and manage your active items. TERMS AND CONDITIONS By submitting your bid on this item you acknowledge.Must have a verified physical USA address. I reserve the right to end this auction early. No pick up available. No exceptions. Shipped USPS with delivery confirmation.

May cost extra for shipping to Alaska, Hawaii or any USA territory, so after the auction please let me know and wait for me to send you an invoice. For your protection, insure your item.Please feel free to contact me and offer any constructive criticism regarding your purchase. I do appreciate your business. Description of this item may have been obtained from label affixed to this item. Hence being listed as is Description Up for sale is a used original owners manual for Remington 700. Seven and 673 Bolt action centerfire rifles.TERMS AND CONDITIONS By submitting your bid on this item you acknowledge.Must have a verified physical USA address. Hence being listed as is Description Up for sale is a lightly used original owners manual for various models Savage Arms bolt action rimfire rifles Accuttrigger like the Mark I and Mark II. 22LR. Manual is in very good physical condition.Very good shape, A factory manual can increase the value of.Lots of info for the CZ owner. Great condition other than the slight scuff on the front cover. Make sure and check out my other items listed. Thank you! Contents include specific firearms descriptions. USA sales only! RcmdId ViewItemDescV4,RlogId p4%60bo7%60jtb9%3Fuk%601d72f%2Bfg2%3E1452a4b79a90x106 Contents include specific firearms descriptions. Ebay now REQUIRES PAYPAL payments for our items. We are not permitted to offer payment methods. Powered by The free listing tool. List your. more items fast and easy and manage your active items. This manual is in excellent condition. Please email me with questions before you bid. Please take a moment to look at my other items I have for

sale. If you buy more than one item from me and I can ship them together to save you some shipping costs I would be happy to do that for you. Please email me with questions before you bid. If you buy more than one item from me and I can ship them together to save you some shipping costs I would be happy to do that for you. BoltAction.

This manual applies to the Standard and Compact. No major rips or tears inside the manual. The front cover DOES HAVE a spot where something sticky was removed and lightly damaged the outer cover page toward the top. No writing or marks on the pages. It is used so it does not look brand new. Just a nice reference piece to have if you own one of these. As well as exploded diagram and parts list. Nice, decent size, the manual is 38 pages. Received this in a trade, thought it should go to a owner of one of these guns. Listed with a low buy it now price that includes shipping. Thanks for looking! I have listed a used Instruction Manual for the Remington Model 700 Bolt Action Centerfire Rifle. This 21 page Manual is in overall very good to excellent condition with minor handling and wear marks on the outside cover, the inside is in new condition with no tears, rips or loose pages. The Manual Number located on the back cover, lower right hand corner is; Form RD 5481, Rev. 693 Email me with any questions. Sold as is and all sales final. Please bid according to my pictures and description. Free First Class shipping and handling to the lower 48 states only. Thanks for looking. Like new other than slight tear out on the books cover. A must have manual for the 527 owner. French, Spanish and German. It is in mint condition. THIS IS AN ORIGINAL MANUAL NOT A COPY Paypal is preferred method of payment. The 24 page booklet contains information about field stripping, assembly, a parts list, cleaning. If you have any questions, please send me a message prior to the auctions end. Ships to USA, tracking information will be provided. Please email me with questions before you bid. If you buy more than one item from me and I can ship them together to save you some shipping costs I would be happy to do that for you. It is not a copy or reprint. Manual has some marks on the cover but pages are clean and intact. No writing. Torn, folded or loose pages.

This is being sold as is with no returns or refunds. If you have an issue please contact me before leaving feedback and I will try to resolve the problem. There will be a 6% sales tax for all PA residents. Payment is required within 24 hours of auction end by PayPal only. Tape, and large envelope I ask that payment be received within 24 hours Thanks for looking Bid with confidence 100% positive feedback As always NO RESERVE. For a better experience, please enable JavaScript in your browser before proceeding. It may not display this or other websites correctly. You should upgrade or use an alternative browser. On my Krico.243 it is great can push it forward like silk, however the CZ is quite hard. Having read other forums other people think the CZ trigger are great. This leaves me with a couple of thoughts 1. Take it out and clean it etc, is this a gunsmith job 2. But a replacement trigger, if so which is best option, where to get it from and how much. Has anyone else had this problem and any thoughts on the best fix. Many thanks It wont cost you a penny and its not exactly rocket science, every shooter should be capable of stripping and cleaning his rifle. Adjust the nonset trigger the way you like it and go from there. But I never use the set, once set the reach to the trigger is too long for me, and set it has too much over travel for me. Replacement trigger I have considered, but never got around to, the one to go with is the Timney, they dont list one for the 527 but I am told the non magnum version of the 550 one is a perfect fit. You can download the manual from the CZ site, but there is a much better description of the process on rimfire central forum, it is actually for the 453 but is the same as the 527, the only difference is in the removal of the trigger spring, the 527 trigger needs to be stripped down to remove it, the 453 just remove the adjuster screw and tip the spring out. Neil.

But I never use the set, once set the reach to the trigger is too long for me, and set it has too much over travel for me. You can download the manual from the CZ site, but there is a much better description of the process on rimfire central forum, it is actually for the 453 but is the same as the 527, the only difference is in the removal of the trigger spring, the 527 trigger needs to be stripped

down to remove it, the 453 just remove the adjuster screw and tip the spring out. Neil. The bloke I sold it to texted me to say it had been a five minute job with the screw driver and hey presto all was well again. If you actually see how it works its absolutely rubbish. The standard trigger is ok but not great on the 527, I fitted a Rifle Basix one in my 17 hornet to get the best out of it, a real improvement. Many 300yd rabbits. It does get rid of the set trigger function. you wont miss it. If you actually see how it works its absolutely rubbish. Many 300yd rabbits. It does get rid of the set trigger function. you wont miss it. Both are about the same price, the timney is a complete trigger system, the Basix one is just a new blade that still uses the stock trigger system. While I have not used the Basix 527 one I did buy and use the 452 version, not as good a a well set up trigger kit, and a million miles behind the Timny for the same rifle. Neil. Both are about the same price, the timney is a complete trigger system, the Basix one is just a new blade that still uses the stock trigger system. While I have not used the Basix 527 one I did buy and use the 452 version, not as good a a well set up trigger kit, and a million miles behind the Timny for the same rifle. Neil. The irony for me is that I have found it at its best in the very situation you want one least in terms of inthefield safety. Namely when required to shoot something in a hurry, as in socalled snap shooting. Or so I've been lead to believe. K Needed a hot iron to break the bond. Absolute Lunacy!

<https://events.citeve.pt/chat-conversation/bose-gsx-321-manual>